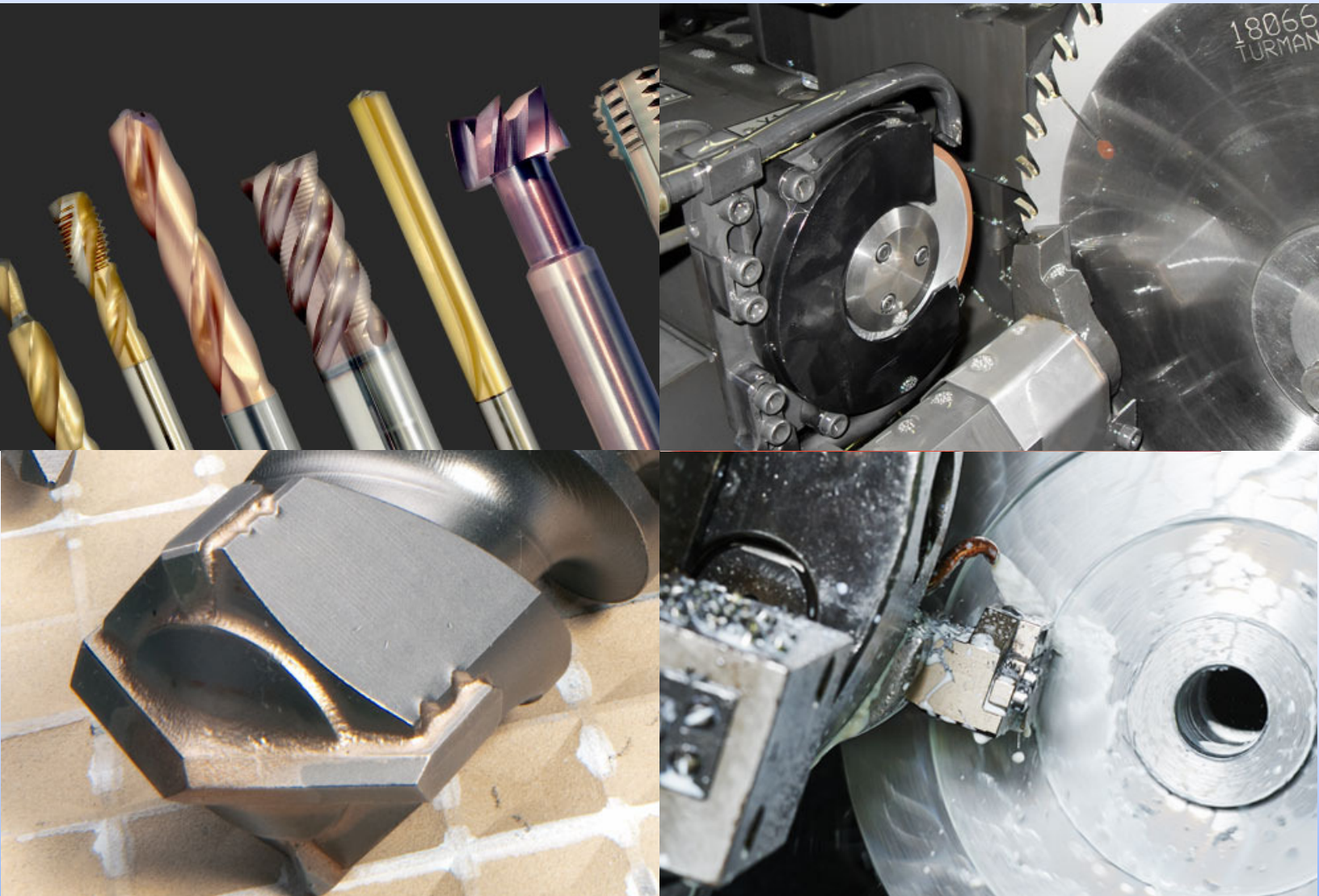


# GRINDING WHEELS



AMTEK International



## GRINDING WHEELS



✓ 1A1

Available in: Diamond, CBN and CDX



✓ 1A1R

Available in: Diamond, CBN



1A1W

Available in: Diamond, CBN



1A8

Available in: Diamond, CBN and CDX



1EE1

Available in: Diamond, CBN



1F1R

Available in: Diamond, CBN and CDX



1FF1R

Available in: Diamond, CBN and CDX



1V1

Available in: Diamond, CBN



2A2T

Available in: Diamond, CBN



✓ 3A1

Available in: Diamond, CBN and CDX



✓ 4A2P

Available in: Diamond, CBN and CDX



✓ 4A2PTR

Available in: Diamond, CBN



4BT9

Available in: Diamond, CBN



4Y1

Available in: Diamond, CBN



6A2

Available in: Diamond, CBN and CDX



6A2C

Available in: Diamond, CBN and CDX



6A2H

Available in: Diamond, CBN and CDX



✓ 6A9

Available in: Diamond, CBN and CDX



✓ 6A9 Wright

Available in: Diamond, CBN

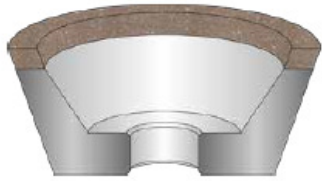


11A2

Available in: Diamond, CBN and CDX



## GRINDING WHEELS



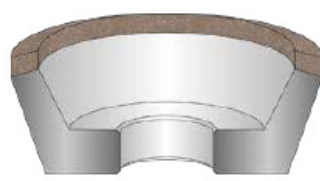
**11V2**

Available in: Diamond, CBN



**11V4**

Available in: Diamond, CBN



**11V5**

Available in: Diamond, CBN



✓ **11V9**

Available in: Diamond, CBN



**12A2**

Available in: Diamond, CBN and CDX



✓ **12V2**

Available in: Diamond, CBN



**12V4**

Available in: Diamond, CBN



**12V5**

Available in: Diamond, CBN



✓ **12V9**

Available in: Diamond, CBN



**14A1R**

Available in: Diamond, CBN and CDX



✓ **14BB1**

Available in: Diamond



**14F1M**

Available in: Diamond, CBN



✓ **14F1R**

Available in: Diamond, CBN and CDX



**14FIR Loroch**

Available in: Diamond, CBN



**14FIR Schmidt Tempo**

Available in: Diamond, CBN



**14V1R**

Available in: Diamond, CBN and CDX



**15A2**

Available in: Diamond, CBN and CDX

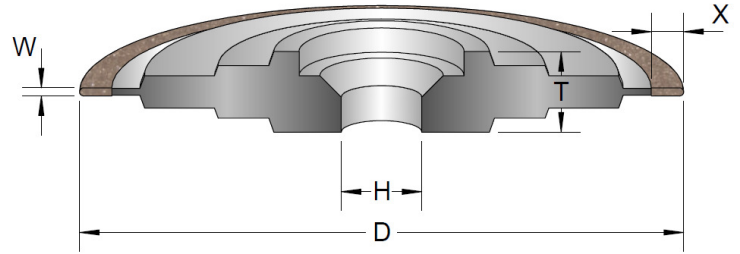
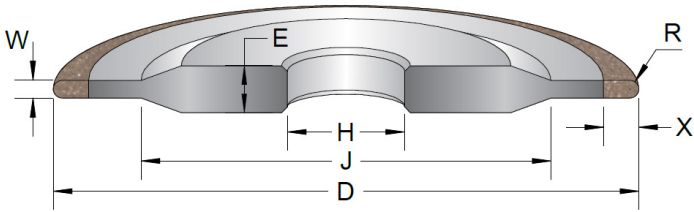


**15V9**

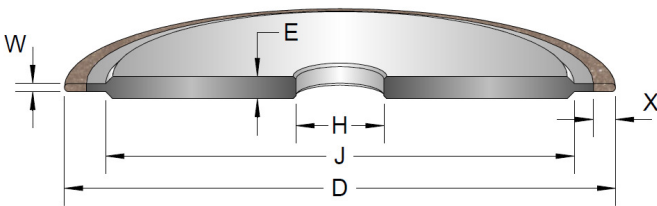
Available in: Diamond, CBN and CDX



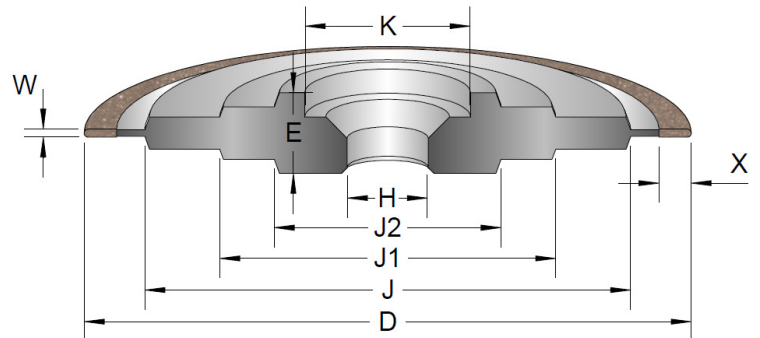
GRINDING WHEELS



**LOROCH**



**SCHMIDT TEMPO**



Applications: Cold Saw Grinding

Bond Availability: Polyimide and hybrid

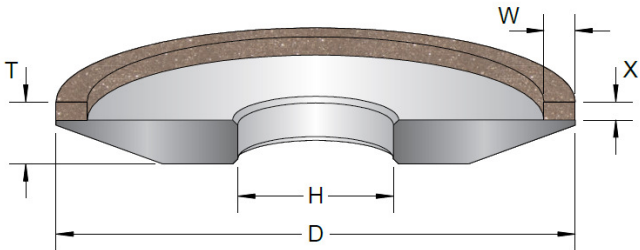
Available in: Diamond, CBN



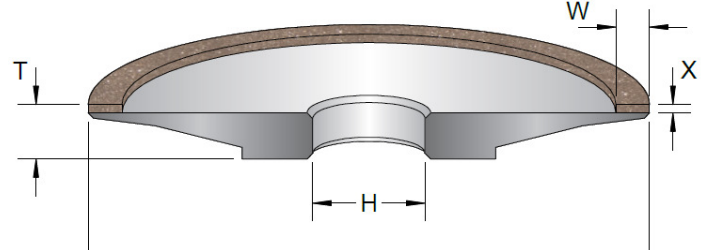


GRINDING WHEELS

**VOLLMER**

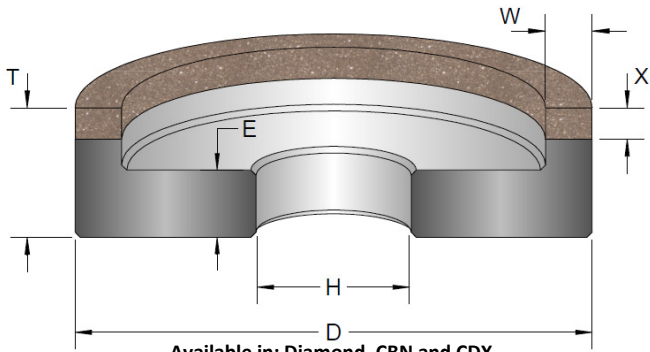


Available in: Diamond, CBN and CDX

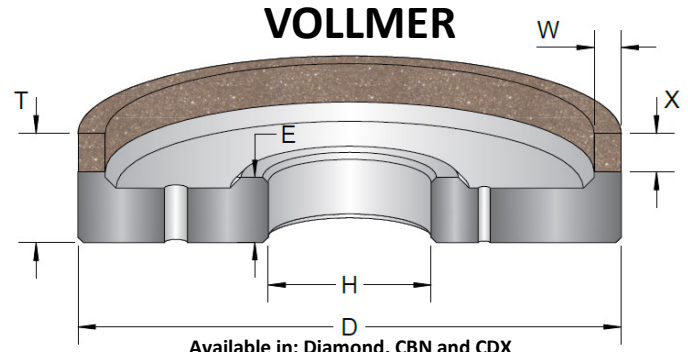


Available in: Diamond, CBN

**VOLLMER**

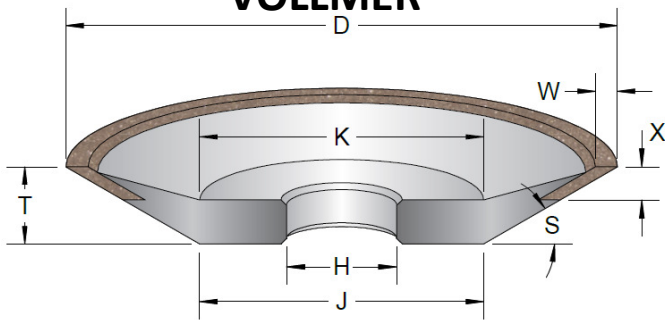


Available in: Diamond, CBN and CDX



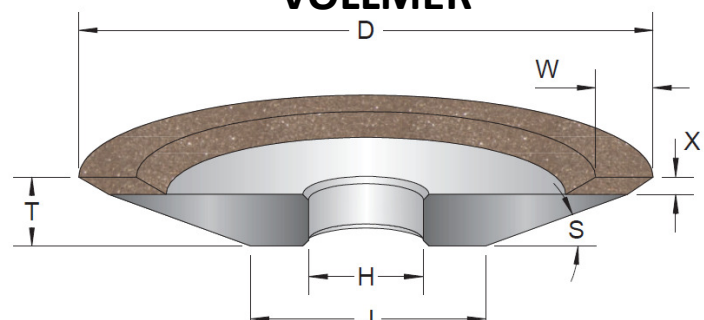
Available in: Diamond, CBN and CDX

**VOLLMER**



Available in: Diamond, and CBN

**VOLLMER**



Available in: Diamond, and CBN

Applications: Cold Saw Grinding

Bond Availability: Polyimide, Hybrid

Available in: Diamond, CBN

Size Availability: 150 mm

